

KFN 29233 D bb

XL freestanding fridge freezer

in exclusive Blackboard edition with DailyFresh and Frost free.



- Large capacity drawer with adjustable moisture – DailyFresh
- Optimum and maintenance-free LED lighting in compartment
- No icing up of food and no need to defrost thanks to Frost free
- More space and convenience thanks to XL interior cabinet



EAN: 4002515639023 / Material number: 10242900 / Old Material Number: 38292337EU1

Appliance category	
Fridge-freezer	•
Construction type	
Freestanding appliance	•
Door hinge	right
Convertible door hinging	•
Design	
Casing colour	Stainless steel look
Front colour	Blackboard edition
Refrigeration section lighting	LED
User convenience	
Networking with Miele@home	•
Accessories required	XKS 3100 W
Freshness system	DailyFresh
ComfortClean	•
DynaCool	•
NoFrost	•
DuplexCool	•
XL interior	•
VarioRoom	•
Concealed door opener	Click2open
Silence system	•
Controls	
Operating concept	FreshTouch
Fridge compartment can be switched off	Yes
Independent temperature regulation of fridge and freezer zones	No
Automatic SuperCool	•
SuperFreeze	•
No. of temperature zones	2
Sabbath mode	•
Party mode	•
Holiday mode	•
QuickCool Timer	•
Fridge/Fridge section	
No. of shelves	4
Chrome-plated metal bottle rack	•
No. of crisper drawers	1
CompactCase	•
Number of inner door racks for tinned food	3
Door rack for bottles	1
Door shelves	4
Efficiency and sustainability	
Energy efficiency class (A–G)	D
Annual energy consumption in kWh	203.31
Energy consumption in 24 h in kWh	0.55
Safety	
Lock function	•
Acoustic door alarm	•
Acoustic temperature alarm	•

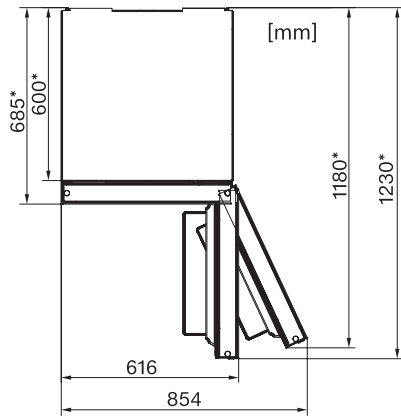
KFN 29233 D bb
 XL freestanding fridge freezer
 in exclusive Blackboard edition with DailyFresh and Frost free.



EAN: 4002515639023 / Material number: 10242900 / Old Material Number: 38292337EU1

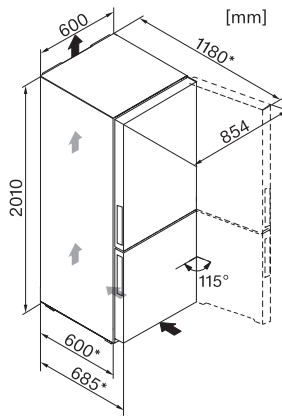
Optical door alarm	•
Optical temperature alarm	•
Power cut indication for freezer section	•
Technical data	
Appliance width in mm	600
Appliance height in mm	2010
Appliance depth in mm	685
Weight in kg	95.3
Climate class	SN-T
Refrigerator compartment in l	262
4* freezer compartment in l	104
Total usable capacity in l	365
Storage time in case of fault in h	16
Freezer capacity in kg/24 h	9.00
Noise class (A-D)	C
Sound power in dB(A) re 1 pW	36
Current consumption (mA)	1400
Voltage in V	220-240
Fuse rating in A	10
Number of phases	1
Frequency in Hz	50-60
Length of supply lead in m	2.2
Replacing lamps	Customer Service
Accessories supplied	
Egg tray	•
Ice packs	•
Ice cube tray	•

KFN 29233 D bb
 XL freestanding fridge freezer
 in exclusive Blackboard edition with DailyFresh and Frost free.



KFN29683D obsw, KFN29683D brws, KFN29233D bb, KFN29283D bb, KFN29493DE edt/cs, top view, (sketch) (*footnote)

*To ensure that energy consumption as stated is achieved, machines should be used together with the enclosed spacer brackets. This increases the total depth of the unit by approx. 1.5 cm. , Machines are still fully functional when operated without these brackets but have a slightly higher energy consumption.,



KFN29683D obsw, KFN29683D brws, KFN29233D bb, KFN29283D bb, KFN29493DE edt/cs (sketch) (*footnote)

*To ensure that energy consumption as stated is achieved, machines should be used together with the enclosed spacer brackets. This increases the total depth of the unit by approx. 1.5 cm. , Machines are still fully functional when operated without these brackets but have a slightly higher energy consumption.,

KFN29233D bb, KFN29283D bb, KFN29683D obsw, KFN29683D brws, installation draw

*To ensure that energy consumption as stated is achieved, machines should be used together with the enclosed spacer brackets. This increases the total depth of the unit by approx. 1.5 cm. , Machines are still fully functional when operated without these brackets but have a slightly higher energy consumption.